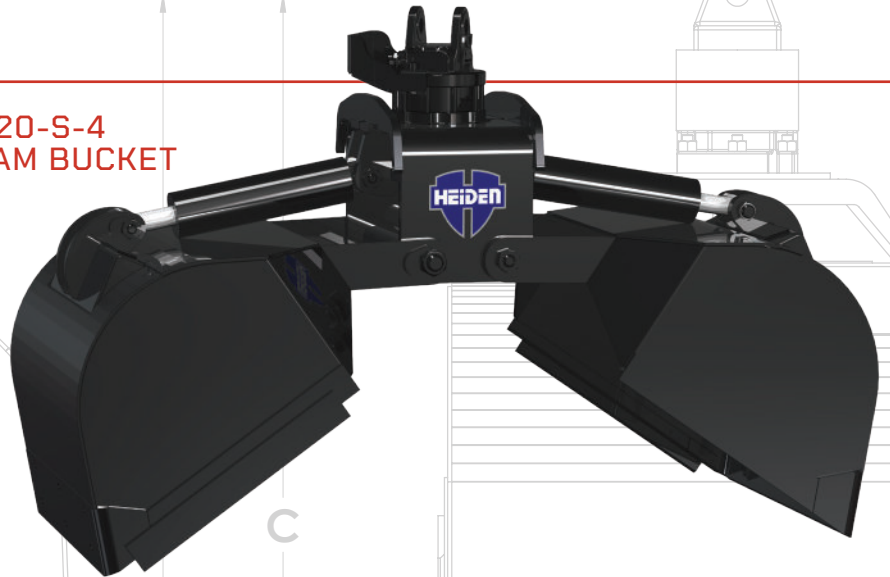




# CRANE ATTACHMENTS

## CLAM BUCKET SERIES

HC20-S-4  
CLAM BUCKET



HC30123  
SUPER CLAM BUCKET



PROUDLY MADE  
IN THE U.S.A.

## FEATURES CLAM BUCKET SERIES

### Clam Buckets

- Designed for railroad ballast
- Can be fitted with teeth for handling ties
- Widths to 66" available
- Large 75" opening
- Continuous rotation standard

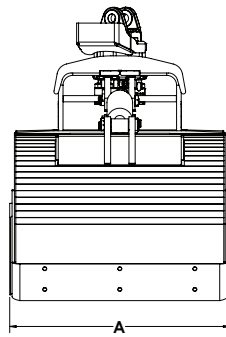
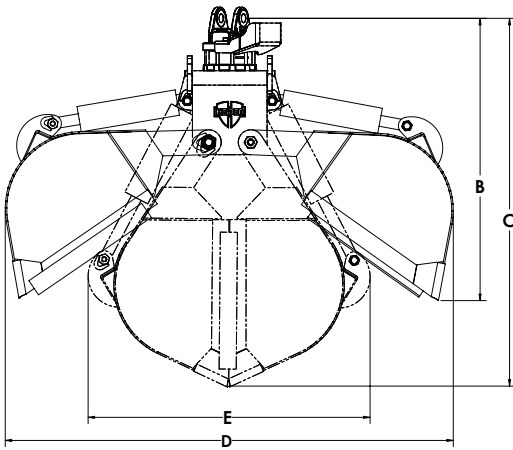
### Super Clam Buckets

- Ideal for roofing, wood chips, coal, and other materials
- Fast, effortless loading
- Check valve standard
- Optional continuous rotation



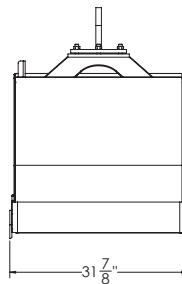
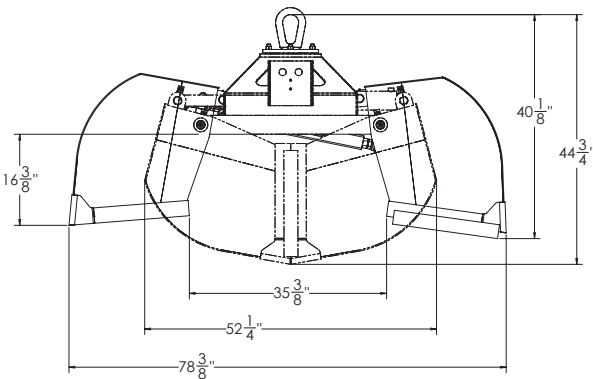
# CLAM BUCKET SERIES

HC20-S-3 / HHC20-S-4 / HC20-S-5 / HC20-S-6 / HC20-S-8  
HC30112 / HC30123 / HC30133



CLAM BUCKETS

Specifications	HC20-S-3	HC20-S-4	HC20-S-5	HC20-S-6	HC20-S-8
A	29"	35"	43"	51"	67"
B	37"	37"	40"	40"	40"
C	58"	58"	61"	61"	61"
D	75"	75"	75"	75"	75"
E	46"	46"	46"	46"	46"
Weight	1,040 lb	1,085 lb	1,165 lb	1,415 lb	1,665 lb
Capacity	1/3 yard	1/2 yard	5/8 yard	3/4 yard	1 yard



SUPER CLAM BUCKETS

Specifications	HC30112	HC30123	HC30133
Digging Width	24"	32"	48"
Height Closed	44"	44"	44"
Bite Opening	78 1/4"	78 1/4"	78 1/4"
Weight	640 lb	780 lb	940 lb
Capacity	1/2 cu. yd.	2/3 cu. yd.	1 cu. yd.

\*Heiden Inc., reserves the right to change these specifications without notice and without incurring any obligation relating to such changes.

OUR RELIABILITY, DELIVERY, AND INTERCHANGEABLE CUSTOM DESIGNS WILL IMPROVE YOUR BOTTOM LINE.



Interchangeable Components



Exceptional Durability



Fast Turnaround



Made in USA

4624 Expo Dr. Manitowoc, WI 54220

Toll Free: 888.682.5779 Phone: 920.682.6111

Fax: 920.682.3174

Email: heiden@heidenco.com

HEIDENCRANE.COM



HEIDEN, INC IS AN ISO 9001-2015 CERTIFIED COMPANY



PROUDLY MADE IN THE U.S.A.