



CRANE ATTACHMENTS

TRASH GRAPPLE

SERIES

HC30-TGX

HC20-TG 70/48



PROUDLY MADE
IN THE U.S.A.

FEATURES

TRASH GRAPPLE SERIES

HC60 Series Trash Grapples

- Ideally suited for smaller loaders
- Large opening for bulky trash, white goods, and storm cleanup
- 1/4" thick high tensile steel wrap with full length tines
- 5 ton continuous rotation standard
- Only 560 lb with rotation

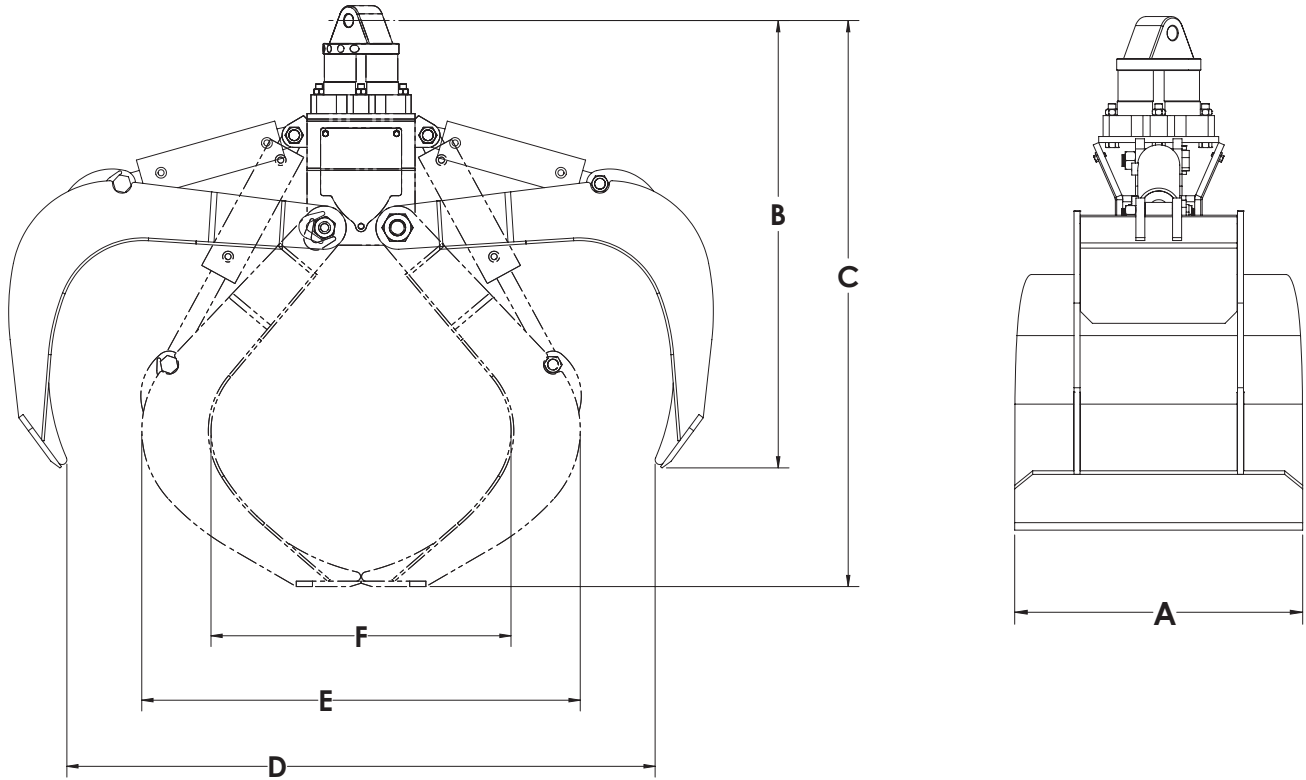
HC 20 & 30 Series Trash Grapples

- Municipalities - curbside pickup of heavy items refrigerators, mattresses, etc.
- Ideal for disaster and storm clean up
- Recycling centers - tires, mulch, etc.
- Heavy duty rotator standard



TRASH GRAPPLE SERIES

HC60-TG 55/24



| Specifications | HC60-TG 55/24 |
|--------------------------|---------------|
| A | 24" |
| B | 43" |
| C | 54" |
| D | 55" |
| E | 41" |
| F | 28" |
| Weight (Without Rotator) | 500 lb |
| Weight (With Rotator) | 560 lb |

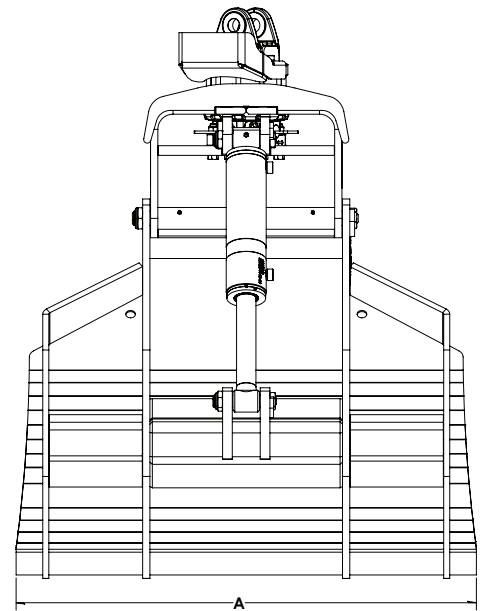
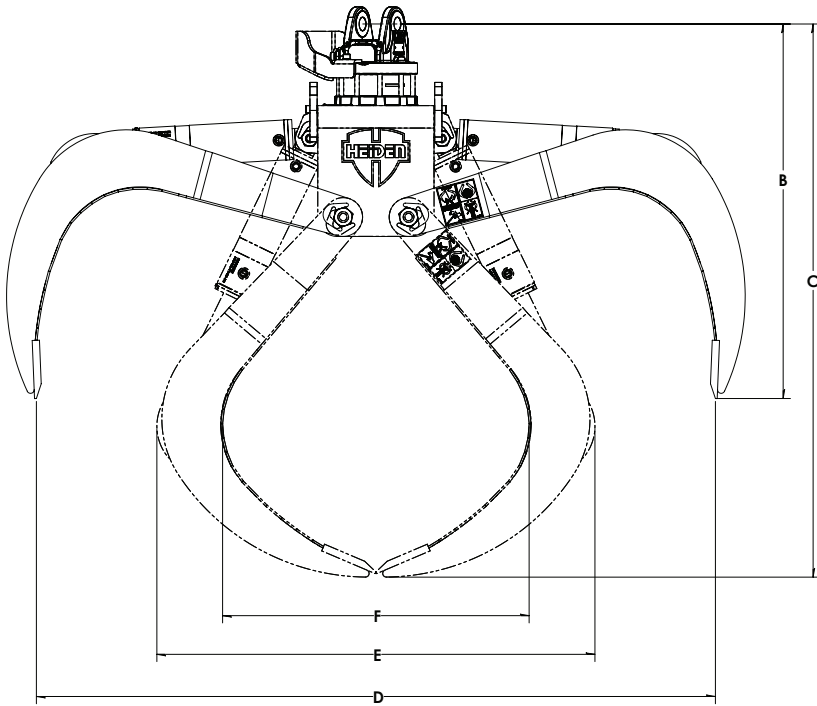
 PROUDLY MADE
IN THE U.S.A.

*Heiden Inc., reserves the right to change these specifications without notice and without incurring any obligation relating to such changes.



TRASH GRAPPLE SERIES

HC20-TG 70/48 / HC20-TG 62/42 / HC20-TG-72/60 / HC20-TG 62/36



| Specifications | HC20-TG 70/48 | HC20-TG 62/42 | HC20-TG 72/60 | HC20-TG 62/36 |
|--------------------------|---------------|---------------|---------------|---------------|
| A | 42" | 42" | 60" | 36" |
| B | 42" | 40" | 42" | 40" |
| C | 58" | 53" | 58" | 53" |
| D | 70" | 62" | 70" | 62" |
| E | 46" | 40" | 46" | 40" |
| F | 32" | 28" | 32" | 28" |
| Weight (Without Rotator) | 1,030 lb | 950 lb | 1,210 lb | 850 lb |
| Weight (With Rotator) | 1,160 lb | 1,080 lb | 1,340 lb | 980 lb |



PROUDLY MADE IN THE U.S.A.

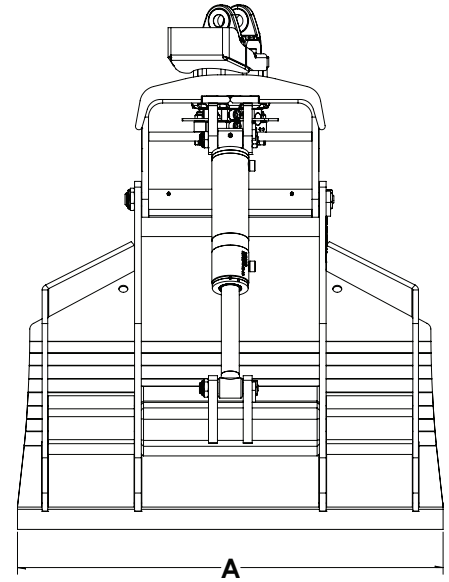
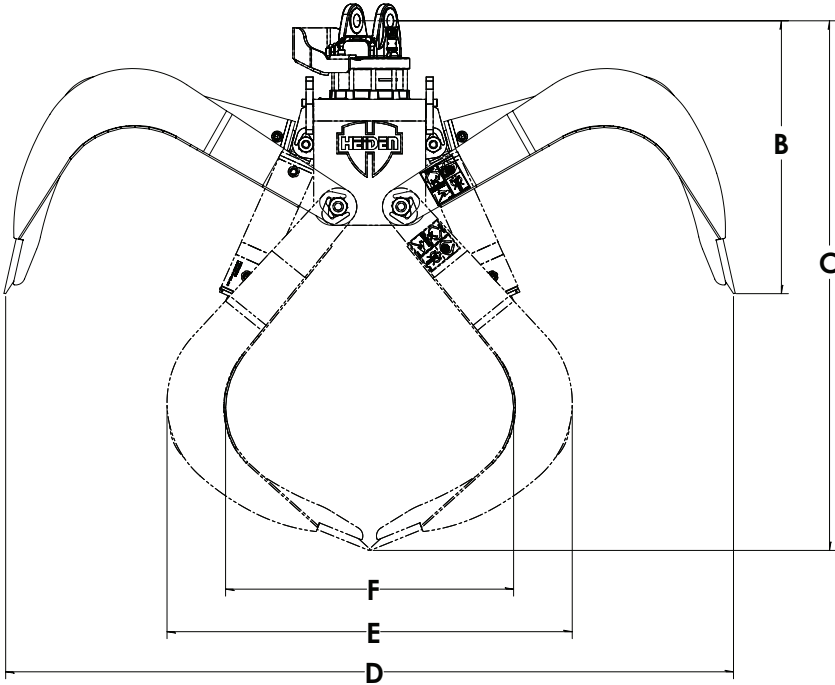
*Heiden Inc., reserves the right to change these specifications without notice and without incurring any obligation relating to such changes.





TRASH GRAPPLE SERIES

HC20-TG 62/36 / HC20-TG 62/42 / HC20-TG-70/48 / HC20-TG 72/60
HC30-TGX 78/48 / HC30-TGX 78/36 / HC60-TG 78/36



| Specifications | HC30-TGX-78/48 | HC30-TGX-78/36 |
|--------------------------|----------------|----------------|
| A | 48" | 36" |
| B | 30" | 30" |
| C | 57.5" | 57.5" |
| D | 78" | 78" |
| E | 43.5" | 43.5" |
| F | 31" | 31" |
| Weight (Without Rotator) | 1215 lb | 1125 lb |
| Weight (With Rotator) | 1360 lb | 1270 lb |

*Heiden Inc., reserves the right to change these specifications without notice and without incurring any obligation relating to such changes.

OUR RELIABILITY, DELIVERY, AND INTERCHANGEABLE CUSTOM DESIGNS WILL IMPROVE YOUR BOTTOM LINE.



Interchangeable Components



Exceptional Durability



Fast Turnaround



Made in USA

4624 Expo Dr. Manitowoc, WI 54220
Toll Free: 888.682.5779 Phone: 920.682.6111
Fax: 920.682.3174
Email: heiden@heidenco.com

HEIDENCRANE.COM



HEIDEN, INC IS AN ISO 9001-2015 CERTIFIED COMPANY



PROUDLY MADE IN THE U.S.A.