



CRANE ATTACHMENTS

LOG AND PULP GRAPPLES

20-A, 20N-A SERIES

BYPASS [A]



Based on Heiden's proven 20 series grapple design, the HC20N series is 4" narrower and 120 lbs lighter.



PROUDLY MADE IN THE U.S.A.

FEATURES 20-A / 20N-A SERIES

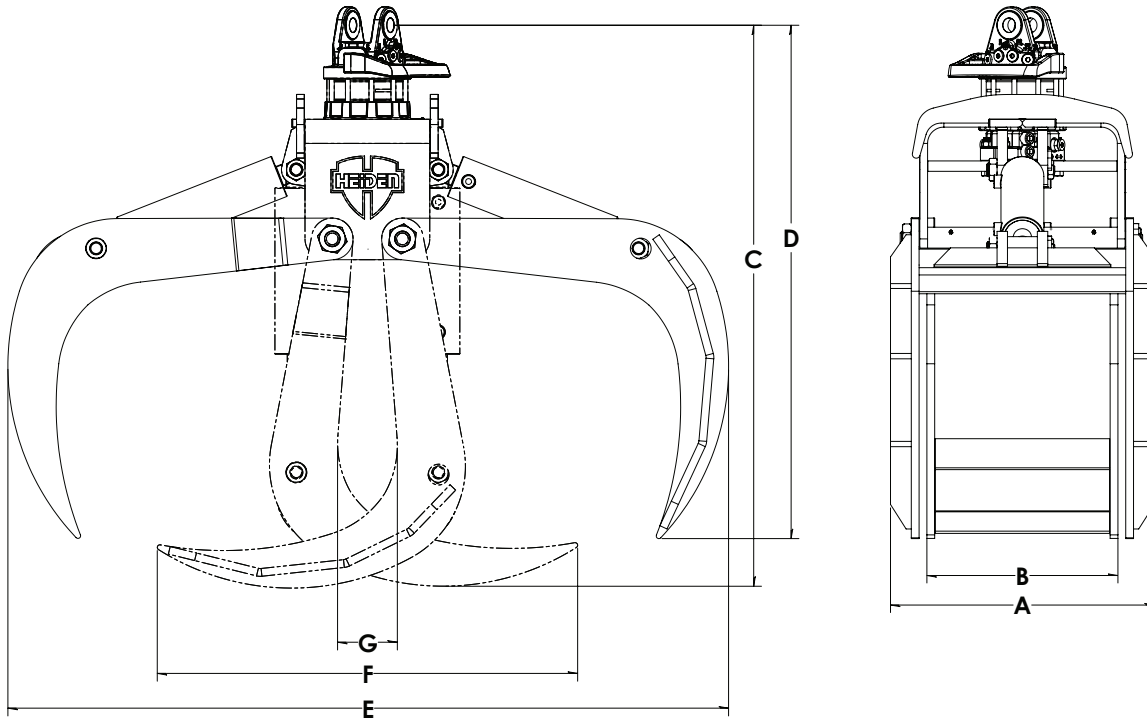
- Head design good for "Bucking" logs
- High tensile steel throughout
- Jaws are replaceable and exchangeable to other sizes/models
- 6 and 11 ton continuous rotation

- 3" or 3 1/2" bore standard or load holding cylinders
- 49" to 88" opening
- Heavy duty 1 1/4" cylinder pins
- Also available in non-rotating models
- Greasable bushings throughout



20 SERIES LOG AND PULP GRAPPLES

HC20-A-2 / HC20-A-2.5 / HC20-A-3 / HC20-A-4 / HC20N-A-3



Specifications	HC20-A-2	HC20-A-2.5	HC20-A-3	HC20-A-4	HC20N-A-3
A	25.5"	25.5"	25.5"	25.5"	21.5"
B	18.375"	18.375"	18.375"	18.375"	12"
C	52"	49"	45"	43"	50"
D	60"	55"	52"	47"	57"
E	88"	70"	60"	49"	60"
F	53"	48"	40"	36"	41"
G	6.5"	6"	6"	6"	6"
Weight (Without Rotator)	965 lb	865 lb	8150 lb	765 lb	690 lb
Weight (With Rotator)	1010 lb	915 lb	875 lb	780 lb	750 lb
Capacity	1/2 Cord	2/5 Cord	1/3 Cord	1/4 Cord	1/3 Cord

*Heiden Inc., reserves the right to change these specifications without notice and without incurring any obligation relating to such changes.

OUR RELIABILITY, DELIVERY, AND INTERCHANGEABLE CUSTOM DESIGNS WILL IMPROVE YOUR BOTTOM LINE.



Interchangeable Components



Exceptional Durability



Fast Turnaround



Made in USA

4624 Expo Dr. Manitowoc, WI 54220
Toll Free: 888.682.5779 Phone: 920.682.6111
Fax: 920.682.3174
Email: heiden@heidenco.com

HEIDENCRANE.COM



HEIDEN, INC IS AN ISO 9001-2015 CERTIFIED COMPANY



PROUDLY MADE IN THE U.S.A.