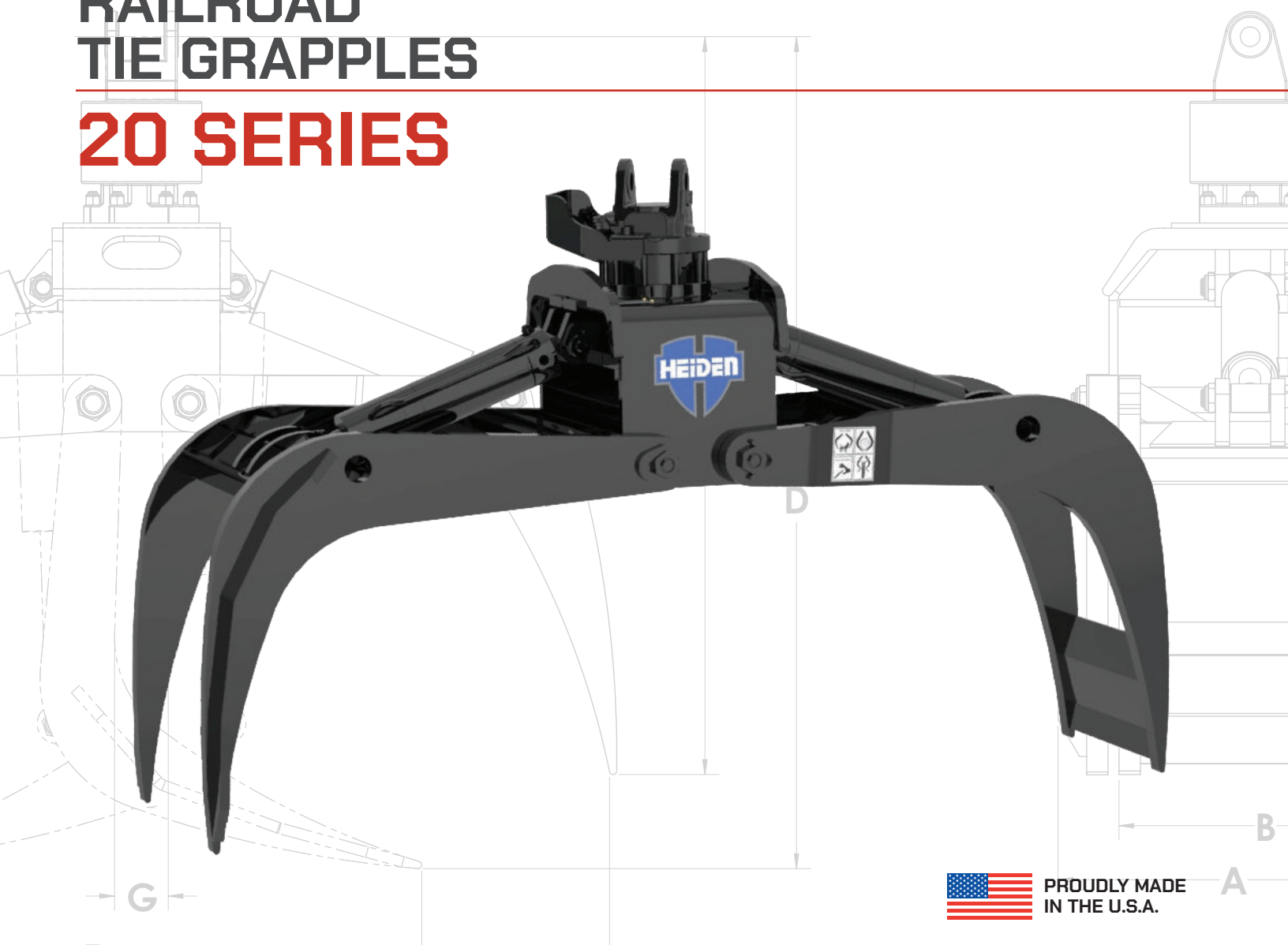




CRANE ATTACHMENTS

RAILROAD TIE GRAPPLER

20 SERIES



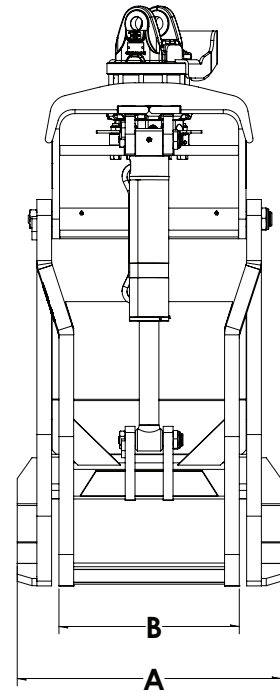
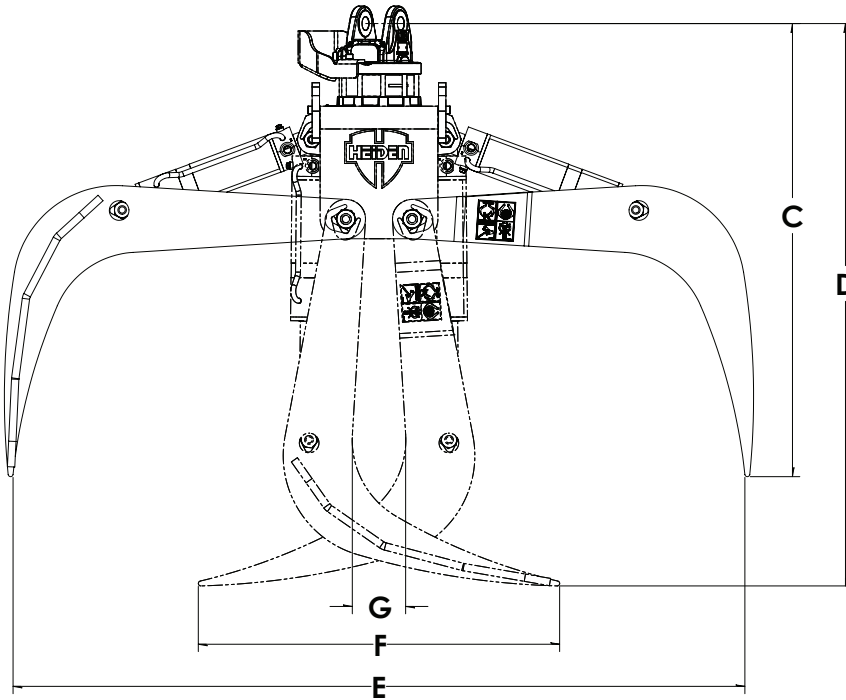
FEATURES 20 SERIES

- Straight tine ends engineered for removing rail ties from railroad cars
- 1 ½" thick tines for extra heavy duty service
- Jaws are replaceable and exchangeable
- All components are Hi Tensile Steel
- Center mount O-ring standard
- CN certified for use on their rail lines
- 11 ton HD continuous rotation standard
- 3 ½" bore 3,000 psi load holding cylinders



20 SERIES RAILROAD TIE GRAPPLES

HC20-AHR-3 / HC20-AHR-4



Specifications	HC20-AHR-3	HC20-AHR-4
A	27"	27"
B	18 3/8"	18 3/8"
C	47"	47"
D	58"	53"
E	74"	66"
F	39"	37"
G	6"	6"
Weight (With Rotator)	1,100 lb	1,000 lb

*Heiden Inc., reserves the right to change these specifications without notice and without incurring any obligation relating to such changes.

OUR RELIABILITY, DELIVERY, AND INTERCHANGEABLE CUSTOM DESIGNS WILL IMPROVE YOUR BOTTOM LINE.



Interchangeable Components



Exceptional Durability



Fast Turnaround



Made in USA

4624 Expo Dr. Manitowoc, WI 54220
Toll Free: 888.682.5779 Phone: 920.682.6111
Fax: 920.682.3174
Email: heiden@heidenco.com

HEIDENCRANE.COM



HEIDEN, INC IS AN ISO 9001-2015 CERTIFIED COMPANY



PROUDLY MADE IN THE U.S.A.