



# CRANE ATTACHMENTS

## COMPACT PIPE AND POLE GRAPPLES

### 60 SERIES

BYPASS [A]  
POLE [P]



PROUDLY MADE  
IN THE U.S.A.

## FEATURES 60 SERIES

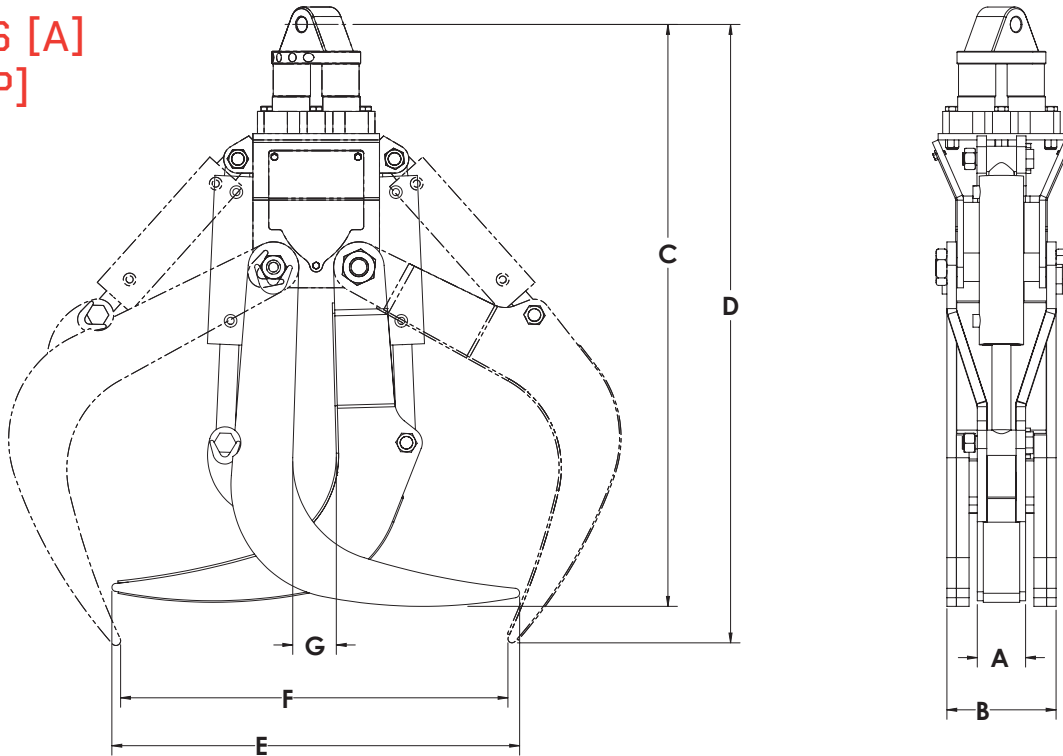
- Compact, easy to store, lightweight and durable
- Pole grapples feature fully wrapped tines to protect pole finish
- Also available in non-rotating models
- 5 ton rotater standard
- Jaws are replaceable and exchangeable to other size/models



# 60 SERIES COMPACT PIPE AND POLE GRAPPLES

HC60-A-6 / HC60-A-3 / HC60-P-9 / HC60-P-8

BYPASS [A]  
POLE [P]



Specifications	HC60-A-6	HC60-A-3	HC60-P-9	HC60-P-8
A	6"	6"	4"	4"
B	13"	13"	8.63"	8.63"
C	48"	51"	38"	46"
D	45"	48"	36"	41"
E	32"	36"	26"	32"
F	48"	60"	26"	31"
G	4"	4"	3.50"	3.50"
Weight (Without Rotator)	390 lb	440 lb	290 lb	420 lb
Capacity	1/6 cord	1/3 cord	10"-16" dia.	16"-24" dia.

\*Heiden Inc., reserves the right to change these specifications without notice and without incurring any obligation relating to such changes.

OUR RELIABILITY, DELIVERY, AND INTERCHANGEABLE CUSTOM DESIGNS WILL IMPROVE YOUR BOTTOM LINE.



Interchangeable Components



Exceptional Durability



Fast Turnaround



Made in USA

4624 Expo Dr. Manitowoc, WI 54220  
Toll Free: 888.682.5779 Phone: 920.682.6111  
Fax: 920.682.3174  
Email: heiden@heidenco.com

[HEIDENCRANE.COM](http://HEIDENCRANE.COM)



HEIDEN, INC IS AN ISO 9001-2015 CERTIFIED COMPANY



PROUDLY MADE IN THE U.S.A.